

CPZ884 Complete Kit

Series

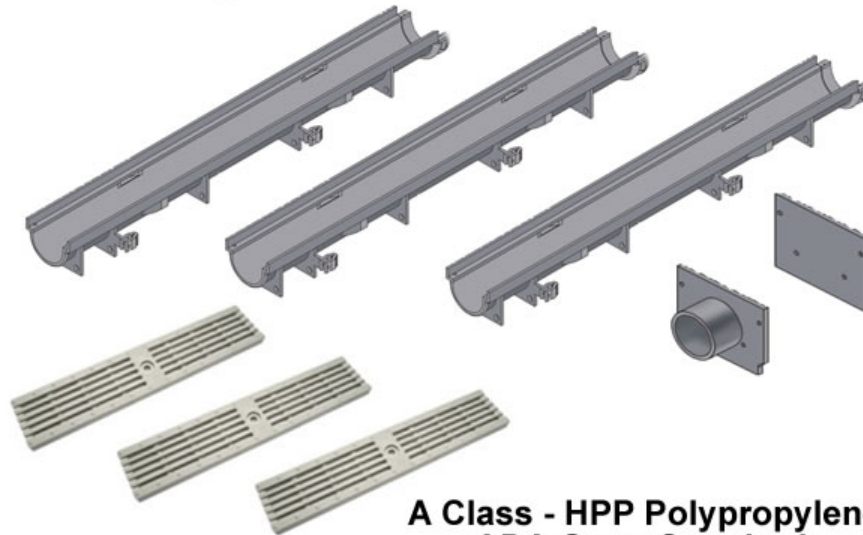
CPZ884

Cut Sheet

Zurn Z884 Series

4 3/4" Wide Reveal Zurn Z884 HDPE Trench Drain Kit

Z884 Complete Kit



**A Class - HPP Polypropylene
ADA Grate Standard**

New Zurn Z884 HDPE Trench Drain Complete Kit 4 3/4" Inch Wide - A Class HPP Heel Proof Grate Standard.

Complete system - Each Kit Includes:

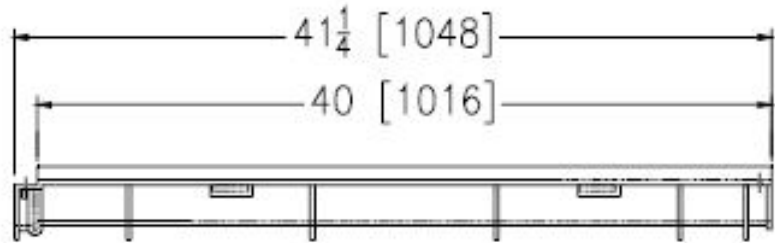
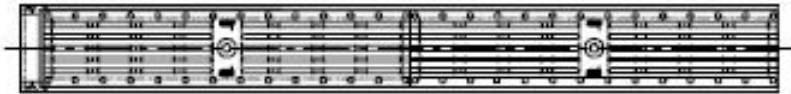
- Specified Number of 40" Sections of Trench Drain Channel.
- Specified Number of 20" A Class HPP Heel Proof Slotted Grates Standard.
- 1 Solid End Cap - 1 Outlet End Cap.
- Galvanized Lock Hardware for the Grates.

Z884 Features and Benefits:

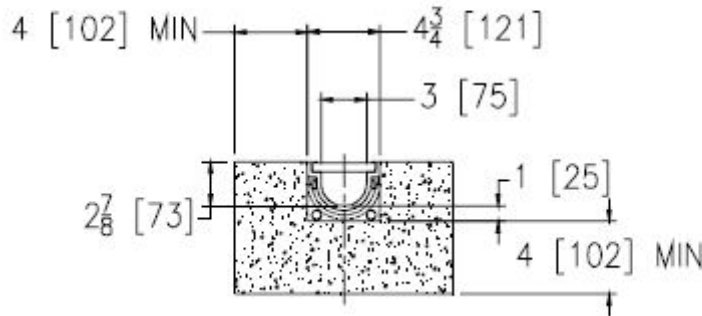
- 40" Modular Sections with 20" and 40" Grates.
- Smooth Seamless Construction - Clean, Sanitary Installation.
- 2-7/8" Trench Depth. For Depth Restricted Applications.
- Variety of Gratings. Able to Meet Specific Job Requirements.
- Durable and Lightweight.



<p>Number Z884 Shallow Channel</p>	<p>Series CPZ884 HDPE Channel Z884 Series</p>
--	---



SPECIFYING ENGINEER IS RESPONSIBLE FOR
CONCRETE ENCASEMENT AND REINFORCING
BASED UPON APPLICATION AND LOCAL CODES



ENGINEERING SPECIFICATION: Zurn Z884

Channels shall be 40 [1016] long, 4-3/4 [121] wide reveal and have a 3-1/4 [83] throat. Modular channel sections shall be made of 0% water absorbent Polypropylene. Shall have a positive mechanical connection between channel sections that will not separate during the installation and shall mechanically lock into the concrete surround a minimum of every 10 [254]. Channels shall weigh less than 2 lbs. [.9kg] per linear foot, have a smooth, 1.634 [41.5] radiused self cleaning bottom with a Manning's coefficient of .009 neutral 0% built in slope. Channels shall have rebar clips standard to secure trench in its final location. Shall be provided with standard HPP grates that lock down with lockdown bars to the channel and is not intended for dynamic traffic loadings. Zurn 4-1/8 [105] wide reveal Longitudinal Heelproof Polypropylene Grate is rated class A per the DIN EN 1433 top load classifications. Supplied in 20 [508] nominal lengths with .25 [6] wide slots, and .75 [19] bearing depth. Grate has an open area of 18.57 sq. in per ft. [39,307 sq. mm per meter].

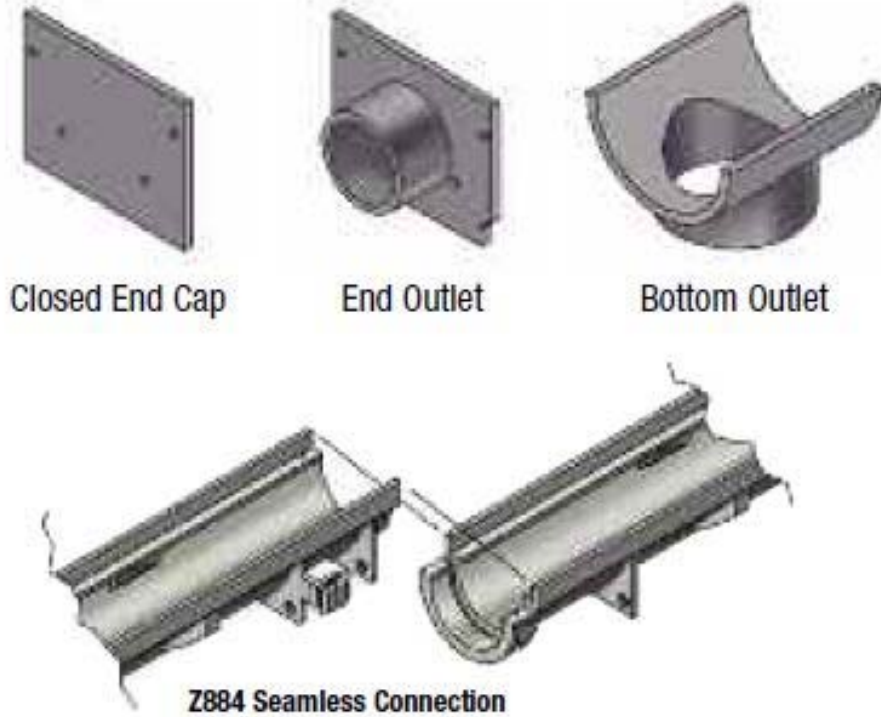
Manufacturer



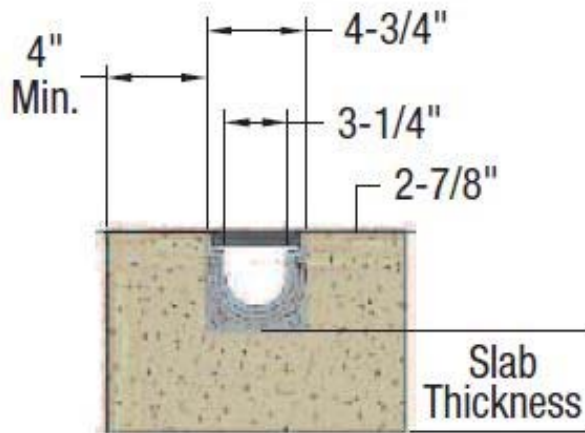
DISCLAIMER - The customer and the customer's architects, engineers, consultants, and other professionals are completely responsible for the selection installation and maintenance of any product purchased from Trench Drain Supply and/or its manufacturers. TRENCH DRAIN SUPPLY MAKES NO WARRANTY, EXPRESS OR IMPLIED, AS TO THE SUITABILITY, DESIGN, MERCHANTABILITY, OR FITNESS OF THE PRODUCT FOR CUSTOMERS APPLICATION. The drawing and information provided remain the property and copyright of the manufacturer listed. The manufacturer reserves the right to modify specification without notice.

<p>Number Z884 Accessories</p>	<p>Series CPZ884 Accessories Z884 Series</p>
--	--

Z884 Accessories and Connection Features



Z884 Installation Specification

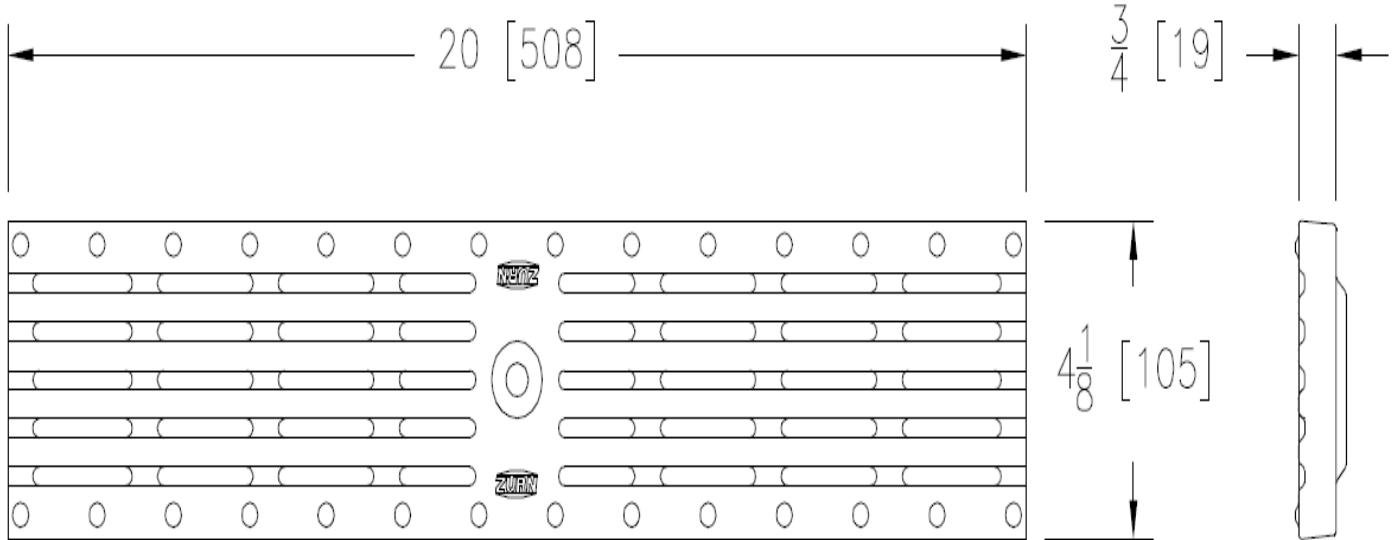


Manufacturer



DISCLAIMER - The customer and the customer's architects, engineers, consultants, and other professionals are completely responsible for the selection installation and maintenance of any product purchased from Trench Drain Supply and/or its manufacturers. TRENCH DRAIN SUPPLY MAKES NO WARRANTY, EXPRESS OR IMPLIED, AS TO THE SUITABILITY, DESIGN, MERCHANTABILITY, OR FITNESS OF THE PRODUCT FOR CUSTOMERS APPLICATION. The drawing and information provided remain the property and copyright of the manufacturer listed. The manufacturer reserves the right to modify specification without notice.

Number	64109	Series	Z884-HPP A Class HDPE Heel-Proof Grate
---------------	--------------	---------------	--



Specification

The Zurn Z884-HPP High Density Polyethylene (HDPE) Heel-Proof Grate is 4-1/8+wide x 20+long weighing 0.78 lbs. per linear foot. The grate has an open area of 10.3 square inches per linear foot, DIN rating of Class A, ANSI rating Light-Duty, ADA compliant. Supplied by Trench Drain Supply.

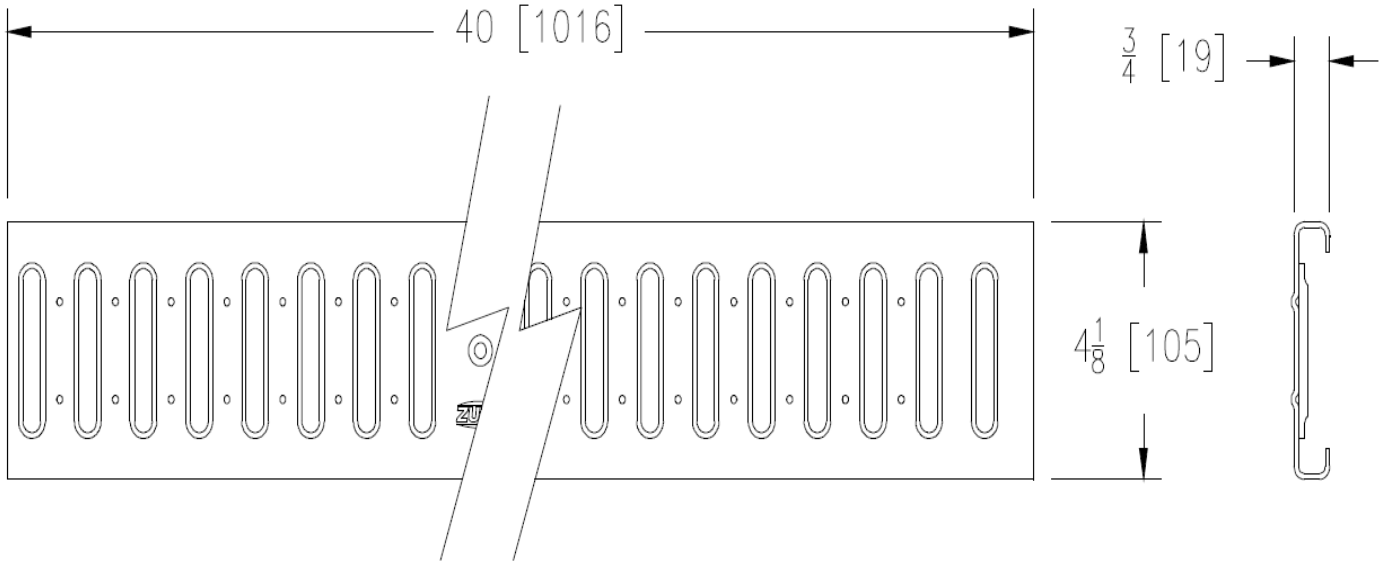
HPP - Heel-Proof Slotted Grate	
Material:	HDPE
DIN Rating:	Class A
Weight:	0.78 lbs/ft.
Open Area:	10.3 in ² /ft.
ANSI Rating:	Light-Duty
Application:	Pedestrian, Chem., Swimming Pool
Slot Width/Hole Size:	0.25"
ADA:	Yes
H-20:	No
FAA:	No

Manufacturer



DISCLAIMER - The customer and the customer's architects, engineers, consultants, and other professionals are completely responsible for the selection installation and maintenance of any product purchased from Trench Drain Supply and/or its manufacturers. TRENCH DRAIN SUPPLY MAKES NO WARRANTY, EXPRESS OR IMPLIED, AS TO THE SUITABILITY, DESIGN, MERCHANTABILITY, OR FITNESS OF THE PRODUCT FOR CUSTOMERS APPLICATION. The drawing and information provided remain the property and copyright of the manufacturer listed. The manufacturer reserves the right to modify specification without notice.

Number 62294	Series Z884-FG A Class Slotted Galvanized Steel Grate
-----------------------------------	---



Specification

The Zurn Z884-FG Fabricated Galvanized Slotted Grate is 4-1/8+wide x 40+long weighing 1.8 lbs. per linear foot. The grate has an open area of 10.2 square inches per linear foot, DIN rating of Class A, ANSI rating Light-Duty. Supplied by Trench Drain Supply.

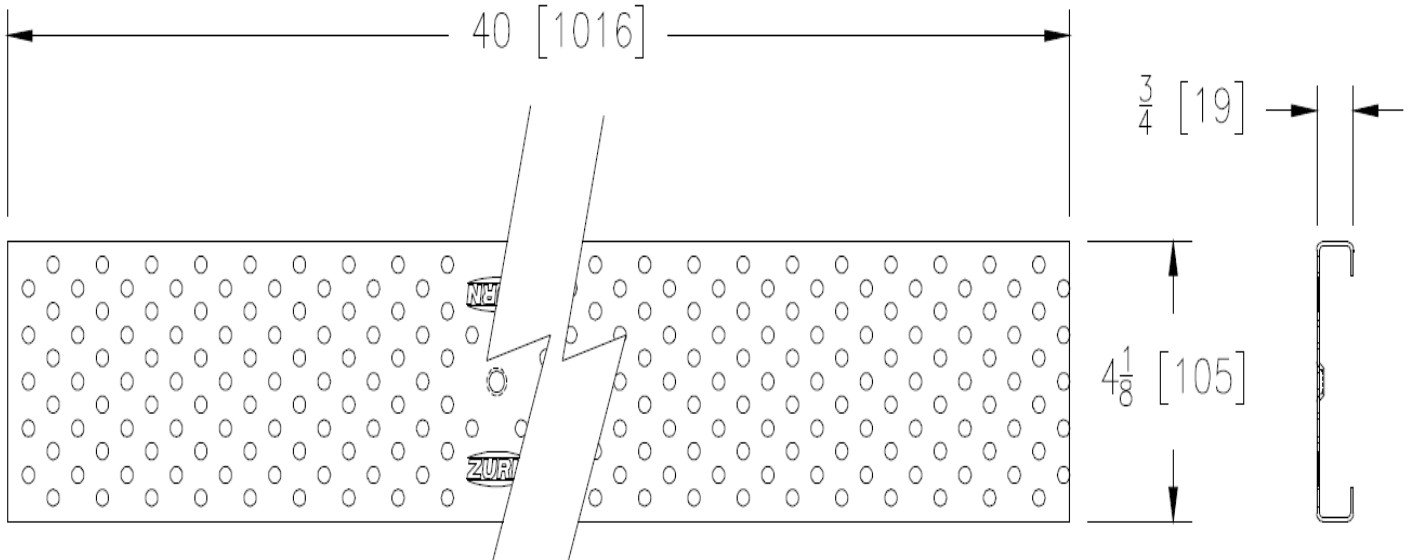
FG - Fabricated Galvanized Steel Slotted Grate	
Material:	Galvanized Steel
DIN Rating:	Class A
Weight:	1.8 lbs/ft.
Open Area:	10.2 in ² /ft.
ANSI Rating:	Light-Duty
Application:	Pedestrian
Slot Width/Hole Size:	0.375"
ADA:	No
H-20:	No
FAA:	No

Manufacturer



DISCLAIMER - The customer and the customer's architects, engineers, consultants, and other professionals are completely responsible for the selection installation and maintenance of any product purchased from Trench Drain Supply and/or its manufacturers. TRENCH DRAIN SUPPLY MAKES NO WARRANTY, EXPRESS OR IMPLIED, AS TO THE SUITABILITY, DESIGN, MERCHANTABILITY, OR FITNESS OF THE PRODUCT FOR CUSTOMERS APPLICATION. The drawing and information provided remain the property and copyright of the manufacturer listed. The manufacturer reserves the right to modify specification without notice.

Number 62295	Series Z884-PG A Class Galvanized Steel Grate
-----------------------------------	---



Specification

The Zurn Z884-PG Galvanized Steel Perforated Grate is 4-1/8+wide x 40+long weighing 1.2 lbs. per linear foot. The grate has an open area of 5.9 square inches per linear foot, DIN rating of Class A, ANSI rating Light-Duty, ADA compliant. Supplied by Trench Drain Supply.

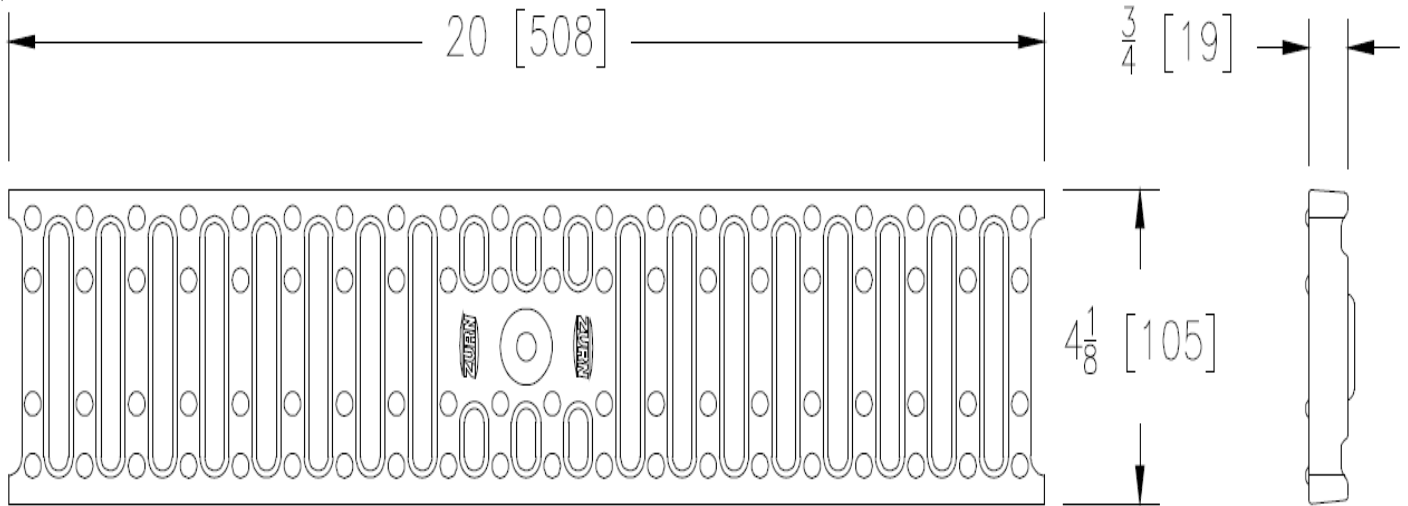
PG - Perforated Galvanized Steel Grate	
Material:	Galvanized Steel
DIN Rating:	Class A
Weight:	1.2 lbs/ft.
Open Area:	5.9 in ² /ft.
ANSI Rating:	Light-Duty
Application:	Heel-Proof, Pedestrian Traffic
Slot Width/Hole Size:	0.25"
ADA:	Yes
H-20:	No
FAA:	No

Manufacturer



DISCLAIMER - The customer and the customer's architects, engineers, consultants, and other professionals are completely responsible for the selection installation and maintenance of any product purchased from Trench Drain Supply and/or its manufacturers. TRENCH DRAIN SUPPLY MAKES NO WARRANTY, EXPRESS OR IMPLIED, AS TO THE SUITABILITY, DESIGN, MERCHANTABILITY, OR FITNESS OF THE PRODUCT FOR CUSTOMERS APPLICATION. The drawing and information provided remain the property and copyright of the manufacturer listed. The manufacturer reserves the right to modify specification without notice.

Number 66402	Series Z884-CG B Class Slotted Cast Iron Grate
-----------------------------------	--



Specification

The Zurn Z884-CG cast iron slotted grate is 4-1/8+wide x 20+long weighing 5.2 lbs. per linear foot. The grate has an open area of 12.2 square inches per linear foot, DIN rating of Class B, ANSI rating Medium-Duty. Supplied by Trench Drain Supply.

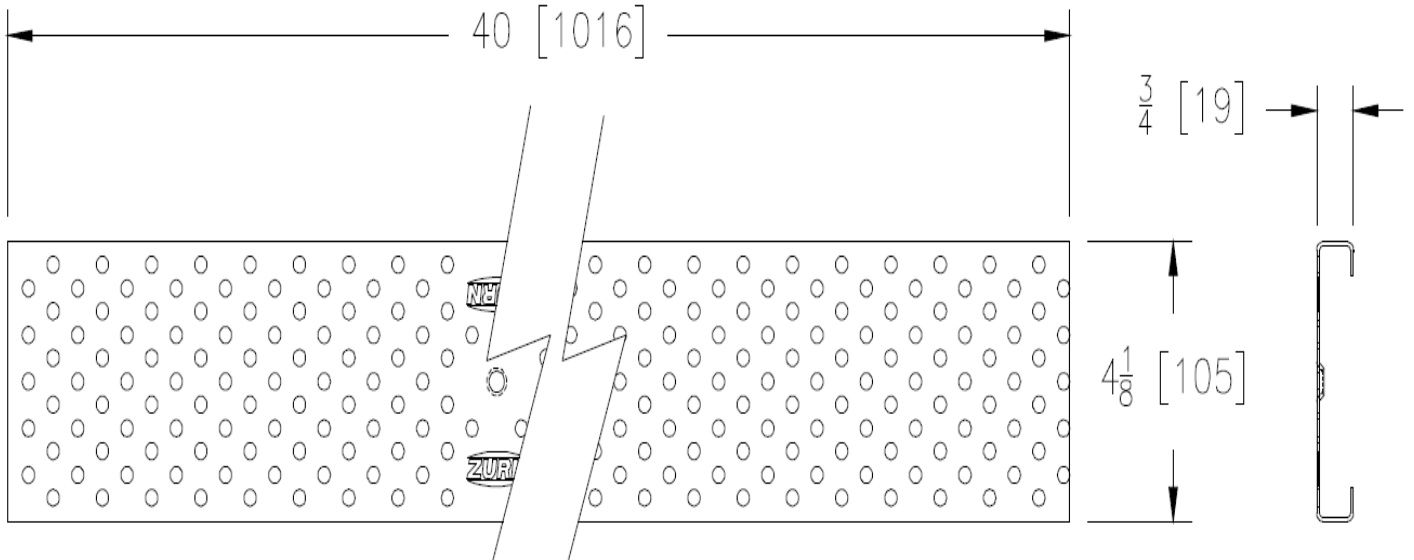
CG - Cast Iron Slotted Grate	
Material:	Cast Iron
DIN Rating:	Class B
Weight:	5.2 lbs/ft.
Open Area:	12.2 in ² /ft.
ANSI Rating:	Medium-Duty
Application:	Light Vehicle Traffic
Slot Width/Hole Size:	0.375"
ADA:	No
H-20:	No
FAA:	No

Manufacturer



DISCLAIMER - The customer and the customer's architects, engineers, consultants, and other professionals are completely responsible for the selection installation and maintenance of any product purchased from Trench Drain Supply and/or its manufacturers. TRENCH DRAIN SUPPLY MAKES NO WARRANTY, EXPRESS OR IMPLIED, AS TO THE SUITABILITY, DESIGN, MERCHANTABILITY, OR FITNESS OF THE PRODUCT FOR CUSTOMERS APPLICATION. The drawing and information provided remain the property and copyright of the manufacturer listed. The manufacturer reserves the right to modify specification without notice.

Number 62295	Series Z884-PS A Class Stainless Steel Grate
-----------------------------------	--



Specification

The Zurn Z884-PS Stainless Steel Perforated Grate is 4-1/8+wide x 40+long weighing 1.2 lbs. per linear foot. The grate has an open area of 5.9 square inches per linear foot, DIN rating of Class A, ANSI rating Light-Duty, ADA compliant. Supplied by Trench Drain Supply.

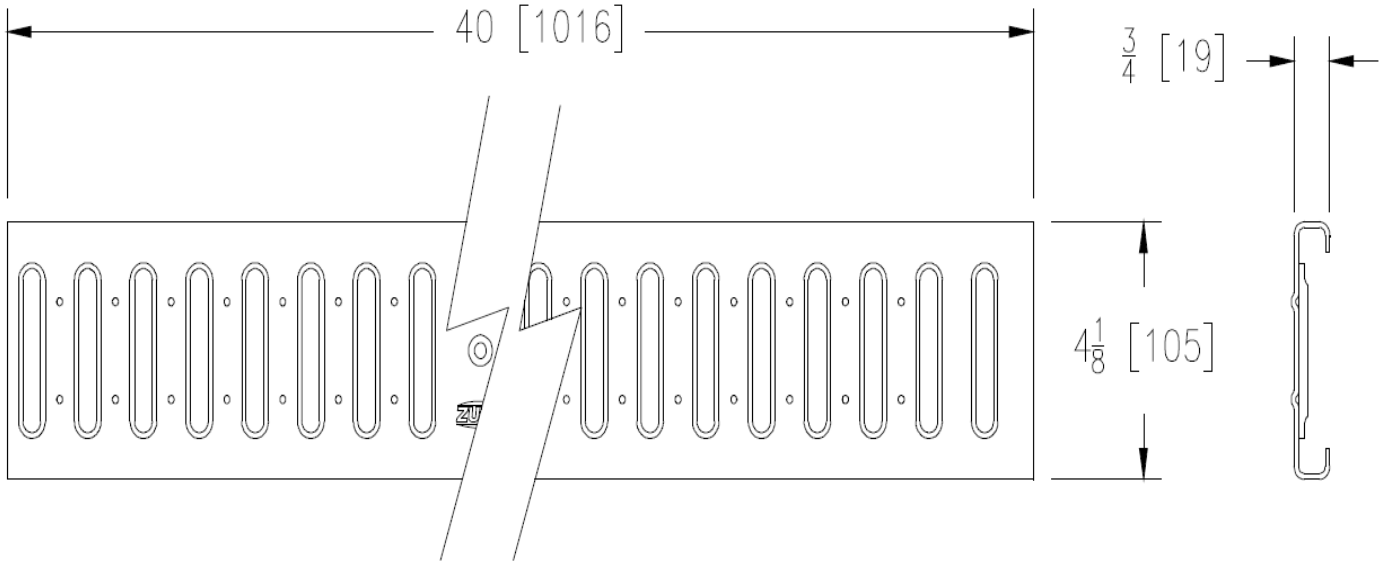
PS - Perforated Stainless Steel Grate	
Material:	Stainless Steel
DIN Rating:	Class A
Weight:	1.2 lbs/ft.
Open Area:	5.9 in ² /ft.
ANSI Rating:	Light-Duty
Application:	Heel-Proof, Food/Bev. Process
Slot Width/Hole Size:	0.25"
ADA:	Yes
H-20:	No
FAA:	No

Manufacturer



DISCLAIMER - The customer and the customer's architects, engineers, consultants, and other professionals are completely responsible for the selection installation and maintenance of any product purchased from Trench Drain Supply and/or its manufacturers. TRENCH DRAIN SUPPLY MAKES NO WARRANTY, EXPRESS OR IMPLIED, AS TO THE SUITABILITY, DESIGN, MERCHANTABILITY, OR FITNESS OF THE PRODUCT FOR CUSTOMERS APPLICATION. The drawing and information provided remain the property and copyright of the manufacturer listed. The manufacturer reserves the right to modify specification without notice.

Number 62294	Series Z884-FS A Class Slotted Stainless Steel Grate
-----------------------------------	--



Specification

The Zurn Z884-FS Fabricated Stainless Steel Slotted Grate is 4-1/8+wide x 40+long weighing 1.8 lbs. per linear foot. The grate has an open area of 10.2 square inches per linear foot, DIN rating of Class A, ANSI rating Light-Duty. Supplied by Trench Drain Supply.

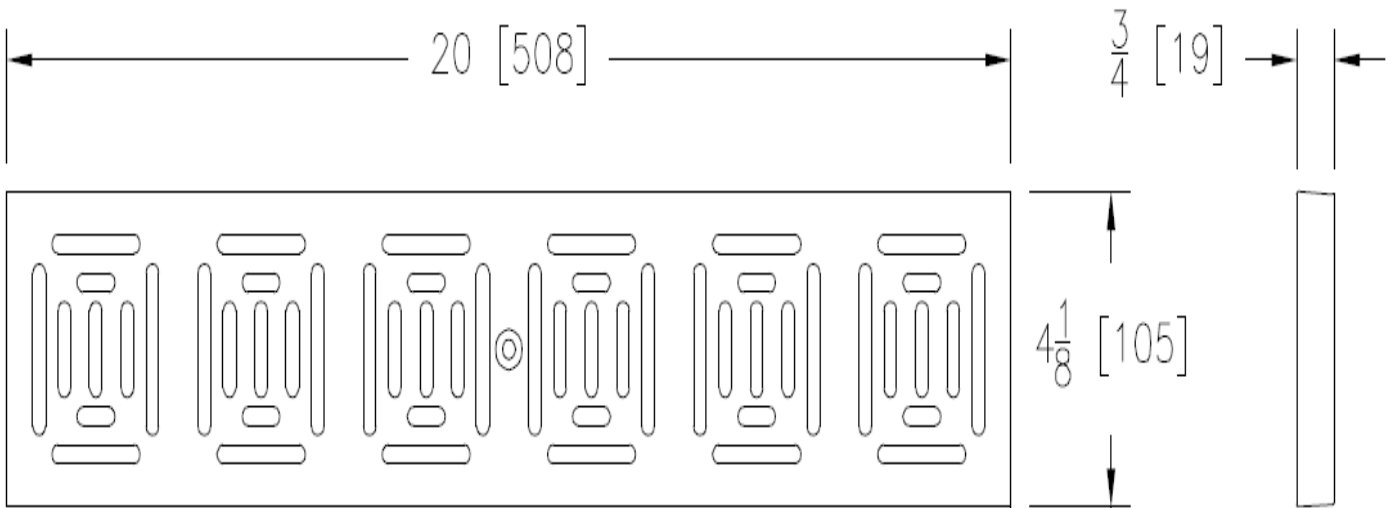
FS - Fabricated Stainless Steel Slotted Grate	
Material:	Stainless Steel
DIN Rating:	Class A
Weight:	1.8 lbs/ft.
Open Area:	10.2 in ² /ft.
ANSI Rating:	Light-Duty
Application:	Pedestrian, Food/Bev. Process
Slot Width/Hole Size:	0.375"
ADA:	No
H-20:	No
FAA:	No

Manufacturer



DISCLAIMER - The customer and the customer's architects, engineers, consultants, and other professionals are completely responsible for the selection installation and maintenance of any product purchased from Trench Drain Supply and/or its manufacturers. TRENCH DRAIN SUPPLY MAKES NO WARRANTY, EXPRESS OR IMPLIED, AS TO THE SUITABILITY, DESIGN, MERCHANTABILITY, OR FITNESS OF THE PRODUCT FOR CUSTOMERS APPLICATION. The drawing and information provided remain the property and copyright of the manufacturer listed. The manufacturer reserves the right to modify specification without notice.

Number 64304	Series Z884-BZ A Class Bronze Decorative Grate
-----------------------------------	--



Specification

The Zurn Z884-BZ bronze decorative grate is 4-1/8+wide x 20+long weighing 4.5 lbs. per linear foot. The grate has an open area of 11.5 square inches per linear foot, DIN rating of Class A, ANSI rating Light-Duty. Supplied by Trench Drain Supply.

BZ - Bronze Decorative Grate	
Material:	Bronze
DIN Rating:	Class A
Weight:	4.5 lbs/ft.
Open Area:	11.5 in ² /ft.
ANSI Rating:	Light-Duty
Application:	Decorative Heel-Proof
Slot Width/Hole Size:	0.25"
ADA:	No
H-20:	No
FAA:	No

Manufacturer



DISCLAIMER - The customer and the customer's architects, engineers, consultants, and other professionals are completely responsible for the selection installation and maintenance of any product purchased from Trench Drain Supply and/or its manufacturers. TRENCH DRAIN SUPPLY MAKES NO WARRANTY, EXPRESS OR IMPLIED, AS TO THE SUITABILITY, DESIGN, MERCHANTABILITY, OR FITNESS OF THE PRODUCT FOR CUSTOMERS APPLICATION. The drawing and information provided remain the property and copyright of the manufacturer listed. The manufacturer reserves the right to modify specification without notice.